



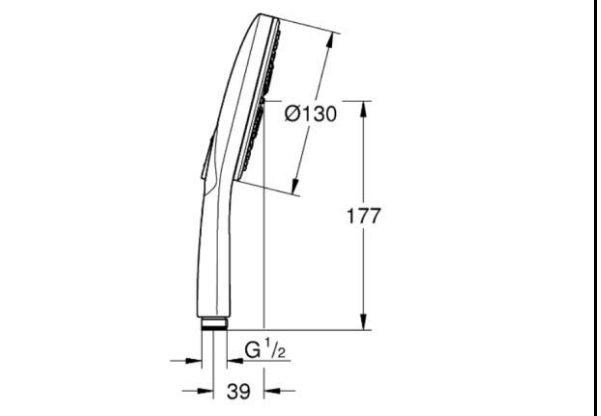
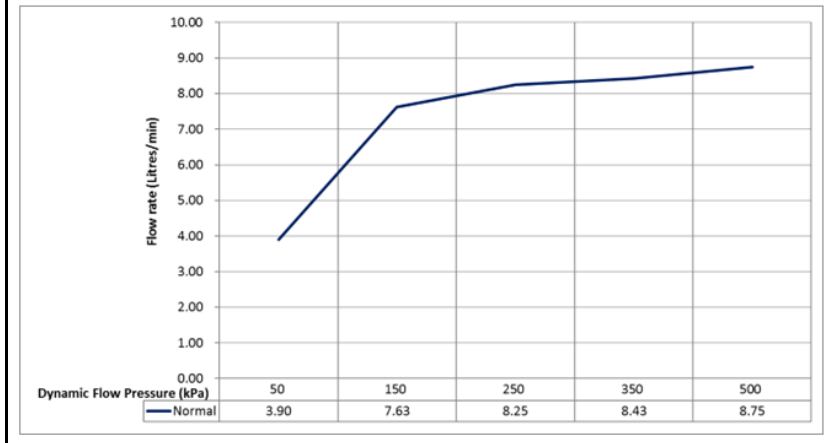
PROJECT		REF		REV	ITEM CODE	
LOCATION		DATE			PAGE	

SANITARY WARE SPECIFICATION SHEET

Item Descriptions	GROHE (Germany) "Rainshower SmartActive 130" Brushed warm sunset 3 sprays hand shower ; Nominal flow rate 8.1 L/min in WELS Grade 1 ; Registration No.SB 21-0018
Dimensions	L130 x W130 x H177 mm
Model	26574DL0
Finish	Brushed Warm Sunset
Manufacturer	GROHE Limited
Country of Origin	Germany
Supplier	Acme Sanitary Ware Co. Ltd Mr. Eric Wong/ Mr. Don Yuen
Contact Tel/Fax	(852) 2388-7171 / (852) 2710-8012
E-mail	acme@acmesanitary.com.hk
Website	www.acmesanitary.com.hk



- spray plate chrome
- GROHE Rain including DripStop, Jet including DripStop, ActiveMassage
- **GROHE EcoJoy** 9.5 l/min flow limiter
- **GROHE DreamSpray** perfect spray pattern
- **GROHE SmartTip** showering spray selection via push of a ring
- **GROHE StarLight** chrome finish
- **SpeedClean** anti-lime system
- **Inner WaterGuide** for a longer life
- universal mounting system, fitting all standard shower hoses
- suitable for instantaneous heater



Note: <https://www.youtube.com/watch?v=HdNB0mlAagE&t=55s>

* All information of the above is for the reference only. No prior notice is made if any changes.




自願參與用水效益標籤計劃 - 沐浴花灑
Voluntary Water Efficiency Labelling Scheme - Showers for Bathing



茲證明
This is to certify that

將下列花灑在本計劃內註冊：
has registered the following shower under this scheme :

牌子 / Brand	:	GROHE
型號 / Model	:	26574XXX + 409374040 ("XXX" denotes colour variants)
原產地 / Country or Region Origin	:	Germany (Shower and Flow Controller)

在用水效益標籤上展示的標誌 <i>Symbolic Presentation on the Water Efficiency Label</i>	:		滴水點 <i>Water droplet(s)</i>
用水效益級別 <i>Water Efficiency Grade</i>	:	1	
耗水量 <i>Water Consumption</i>	:	8.1	公升/分鐘 <i>litres/minute</i>

簽發日期:
Date of Issue: 1 April 2021



水務署署長(張業駒代行)
for Director of Water Supplies